

# POSIJET®

INDEPENDENT FRACTIONATION AND INJECTION UNIT  
FOR HIGH ENERGY RADIOPHARMACEUTICALS

- | **Optimisation:** 100 % of the mother solution is used.
- | **Preparation accuracy** (dosage by volume and activity).
- | **Mobility:** motorised assistance.
- | **Safety:** automatic mother solution volumic activity check.
- | **8 hours'** autonomy in use.
- | **Compatibility:** Ga<sup>68</sup> injection.
- | **Regulatory conformity:** product marked CE Class IIb medical device by notified body (0459) and certified for pediatric use. Calibration possible by certified body (ISO 17025).



# POSIJET®

INDEPENDENT FRACTIONATION AND INJECTION UNIT  
FOR HIGH ENERGY RADIOPHARMACEUTICALS



## Component parts

- 1 | **Dose calibrator** for real time measurement of the radiopharmaceutical dose.
- 2 | **Safe automatic preparation** and, manually or automatically controlled injection system.
- 3 | **Monitoring and control** touch screen.
- 4 | **Secure shielded door** containing the multidose vial in its shielded transport container.
- 5 | **Air bubble detector.**
- 6 | **Holder for saline solution** connected to the mother solution kit.
- 7 | **Removable tray.**
- 8 | **Main socket.**
- 9 | **Motorised assistance** rotating control.
- 10 | **Barcode reader** for kit traceability.
- 11 | **Printer for configurable** injection and quality control reports.
- 12 | **Ethernet connection if no WIFI.**



Light green

Dark green

Dark blue

Light blue



## Features

Loading and planning assistant (1)

Automatic mother solution volumic activity check. (2 3)

Dilution assistant. (4)

Volumic dosage with minimum dose of about 100 µL.

Safety: maximum dose threshold, air bubble detector, injection force sensor.

Interoperability with all WIFI and ethernet connected radiopharmacy software. (5)

Easy to use: consumables quick and easy to install. Intuitive, user-friendly interface. (6)

Radiation protection: dose rate < 15 µSv/h at 5 cm from the walls (mother solution 37 GBq of FDG in its 30 mm lead shielded transport pot).

Injection and rinsing operations in automatic and/or remote manual mode.

Reduction of potential distal doses, with the proposal of a wash out of the dose solution kit at the end of the cycle before unloading.

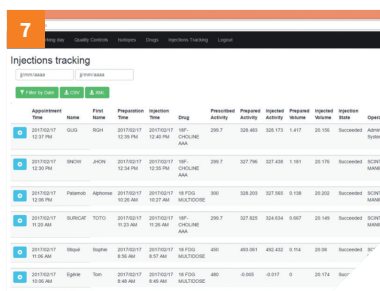
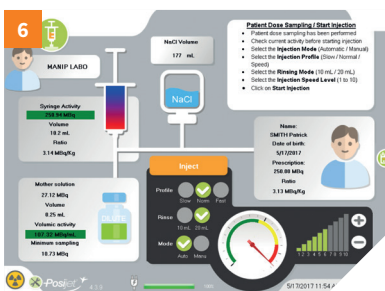
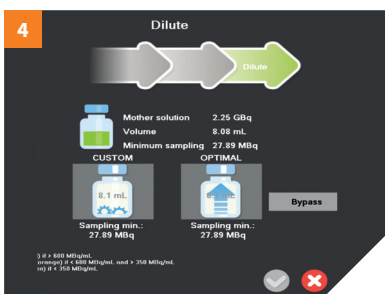
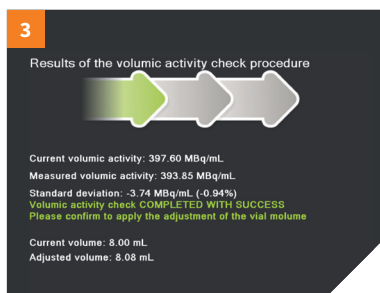
Product adaptable to department practices.

Remote maintenance.

Secure integrated web site: allows remote control and monitoring of all operations carried out with Posijet®, accessible on PC and mobile devices (smartphone, tablet, etc.). (7)

Ease of use: function “test injection site” before the administration of the radiopharmaceutical by bolus NaCl. (the volume of the bolus is ajustable).

Adaptability: possibility to reassign an already prepared dose.



Light grey

Pink

Old pink

Purple

Lilac

Red

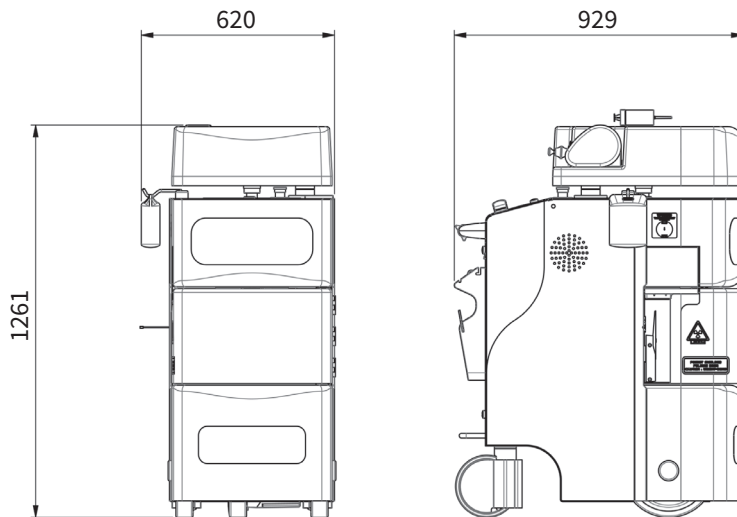
Orange

Yellow

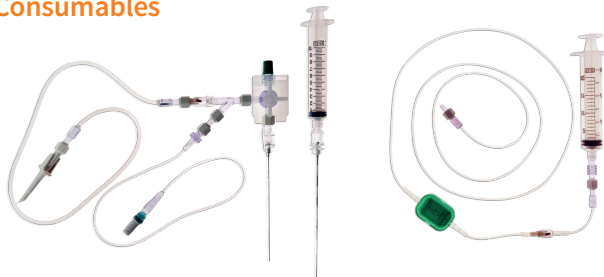
## POSIJET®

INDEPENDENT FRACTIONATION AND INJECTION UNIT  
FOR HIGH ENERGY RADIOPHARMACEUTICALS

### Effective dimensions (mm)



### Consumables



**Mother solution kit**

Ref. POSIKIT 1B

**Patient kit**

Ref. POSIKIT 2

Worldwide leader in innovation in the radiation protection sector, Lemer Pax creates, designs, and engineers efficient radiation protection solutions for medical, research, industry, and nuclear applications. With over 45 years of innovation, Lemer Pax exports all over the world, eco-aware and cutting edge of technology radiation protection products. Lemer Pax, protecting life, we strive for excellence to protect the most important thing: Life!

### Characteristics

#### General

**Dim. (mm):** L 620 x D 929 x H 1261

**Weight:** 380 kg

**Syringe maximum volume:** 10 mL

**Dose accuracy:** +/- 2 %\*

#### Motorised assistance

**Battery autonomy:** 8 h

#### CE marked

**Classification:** Class IIb Medical Device

#### Dilution of the mother solution

**Use of the mother solution:** 100 %

**Connection to radiopharmacy software:** WIFI or ethernet

#### Compatibility with the following software:

Venus, Pharma2000, Pharma Manager, Gera, DICOM protocol and others upon request

#### Remote maintenance

**Adaptable** with radiopharmaceutical transport pots

**Injection:** Automatic or manual

**Product customisable to department practices**

#### Certification for pediatric use

#### Radiation protection:

##### Dose rate at 5 cm from the walls:

< 15 µSv/h (mother solution 37 GBq of FDG in its 30 mm lead shielded transport pot)

< 25 µSv/h (mother solution 92 GBq of FDG in a Posisafe® 30 mm tungsten transport pot)

#### Package

**Package dimensions (mm):** L 850 x D 1500 x H 1580

**Weight:** 520 kg

**Ref.:** 00019530

\* This dose accuracy is the prescribed dose accuracy



**LEMER PAX**  
PROTECTING LIFE