



# BPP30 HV SHIELD

HEIGHT-ADJUSTABLE  
MOBILE PROTECTION  
SHIELD



PREPARATION

INJECTION

STORAGE

PRODUCTS +

**Ergonomics:** height adjusted by pedal-actuated hydraulic system.

**Optimum whole body radiation protection:** by adjusting the height.

**Optimum viewing:** high-density lead glass window inclined at 45°.

**BPP30 MRI :** Non-magnetic system suitable for MRI PET.

## Characteristics

General	BPP30 HV	BPP30 MRI
<b>Overall dimensions:</b>	L 666 x D 739 x H 1447/1647 mm	L 580 x D 620 x H 1480 mm
<b>Adjustable height</b>	Yes	No
<b>Height when inclined:</b>	From 1230 to 1430 mm	1230 mm
<b>Viewing window dimensions:</b>	L 320 x H 200 x Th. 80 mm	
<b>Window inclination:</b>	45°	
<b>Weight:</b>	255 kg	195 kg
<b>Radiation protection:</b>	30 mm lead / 80 mm lead glass	

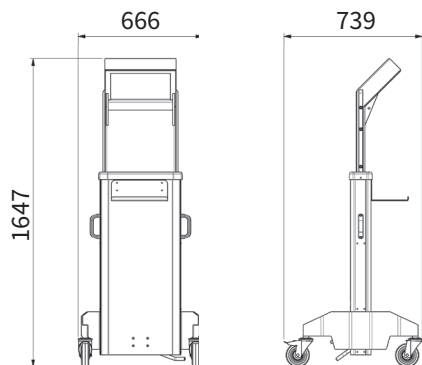
## Package

<b>Package dimensions:</b>	L 1025 x D 725 x H 1800 mm	
<b>Package weight:</b>	310 kg	250 kg

**Ref.:** **BPP30 HV** **00016732**

## Effective dimensions (mm)

BPP30 HV



Download  
the product data sheet  
[lemerpax.com](http://lemerpax.com)